

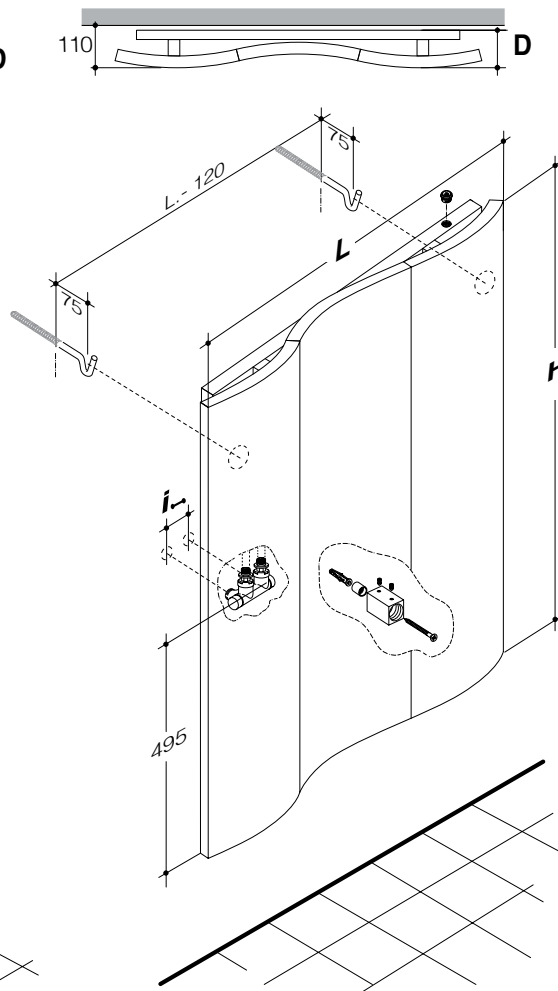
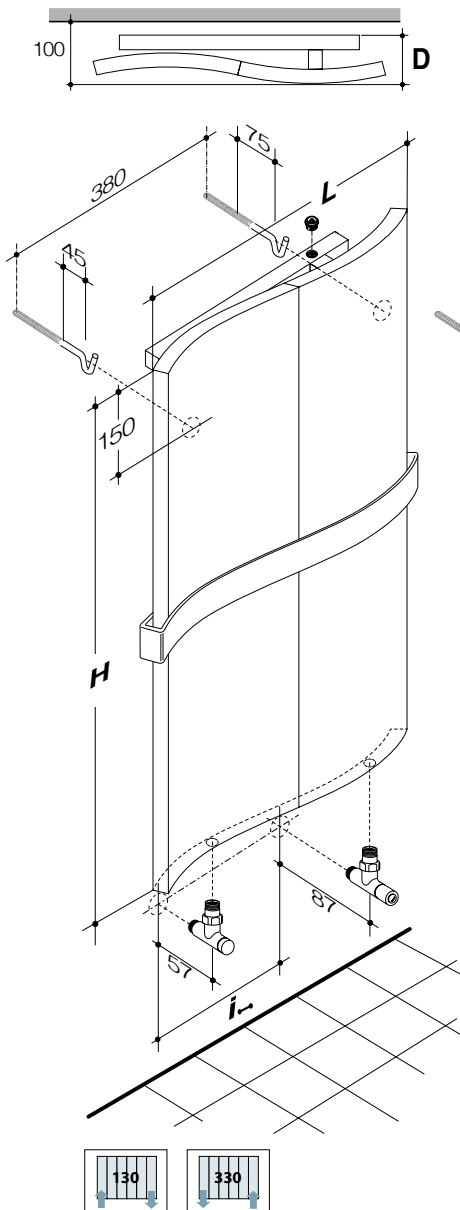
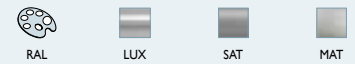
whoops



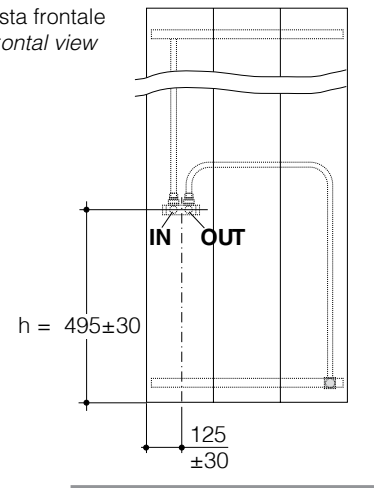
Dimensioni espresse in millimetri
Potenza espressa in Watt
Radiatore in alluminio
Valvole e flessibili compresi nel prezzo.

Dimension expressed in millimetres
Output expressed in Watt
Aluminium radiator
Valves and flexible connectors
are included in the price.

| | H (mm) | D (mm) | L (mm) | (lt) | (W) | | (mm) | Finiture / Finishing |
|-----------|-----------|-----------|-----------|----------|---------------------|---------------------|----------|----------------------|
| | | | | | $\Delta t 50^\circ$ | $\Delta t 30^\circ$ | | |
| H 1800-3* | 1800 | 80 | 750 | 1,56 | 1467 | 807 | - | 50 |
| H 1800-5* | 1800 | 80 | 1250 | 2,60 | 2445 | 1345 | - | 50 |
| H 1800-2 | 1800 | 80 | 500 | 1,04 | 978 | 538 | - | 250 |



Vista frontale
Frontal view



KIT VALVOLE VALVES KIT (pag. 124)

| manual | thermostatic |
|--------|--------------|
| 1 | 1T + 14 |
| 2 | 2T + 14 |
| 3 | 3T + 14 |
| 4 | |
| 5 | 5T |
| 6 | |
| 7 | |
| 8 | 8T + 14 |
| 9 | 9T + 14 |
| 10* | 10T + 14 |
| 11 | |
| 12 | |
| 13 | |

● Valvole disponibili/
Suitable valves

*inclusa nel kit versione manuale
*included in manual version kits

CONNESSIONI/CONNECTIONS



*Inserendo il diaframma fornito a kit/
*By mounting the diaphragm