



upper alu

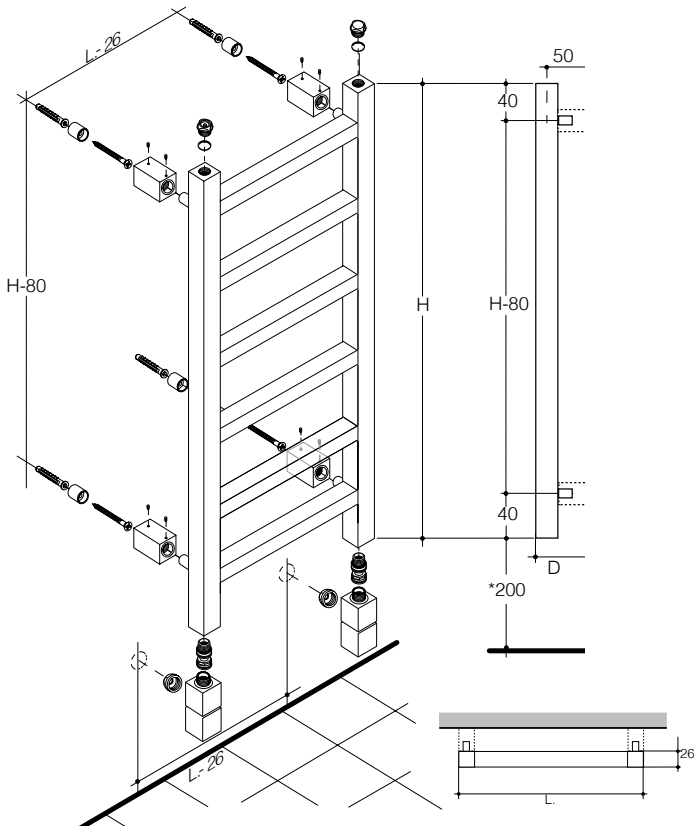


Dimensioni espresse in millimetri
Potenza espressa in Watt
Radiatore in alluminio.

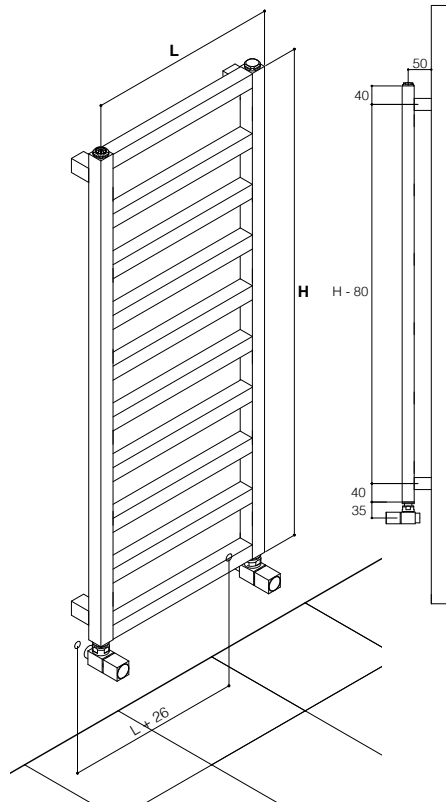
Dimension expressed in millimetres
Output expressed in Watt
Aluminium radiator.

	H	D	L					i	Finiture / Finishing
	(mm)	(mm)	(mm)		(lt)	(W)			
					$\Delta t 50^\circ$	$\Delta t 30^\circ$			
35/150	1500	63	350	1,7	235	130	200	324	
50/150	1500	63	500	2,1	294	162	250	474	
35/180	1800	63	350	2,0	282	155	250	324	
50/180	1800	63	500	2,5	353	194	350	474	
35/210	2100	63	350	2,3	305	168	350	324	
50/210	2100	63	500	2,8	388	213	400	474	
35/120 Q	1200	63	350	1,8	390	215	350	324	
50/120 Q	1200	63	500	2,3	468	257	350	474	
35/150 Q	1500	63	350	2,2	410	225	350	324	
50/150 Q	1500	63	500	2,9	490	269	450	474	
35/180 Q	1800	63	350	2,6	435	239	400	324	
50/180 Q	1800	63	500	3,4	515	283	450	474	

UPPER ALU



UPPER ALU Q



KIT VALVOLE VALVES KIT (pag. 124)

manual	thermostatic
1	1T + 14
2	2T + 14
3	3T + 14
4	
5	5T
6	
7	
8	8T + 14
9	9T + 14
10	10T + 14
11	
12	
13	

● Valvole disponibili/
Suitable valves



Kit base di elettrificazione (riempimento e resistenza)
Basic Electrification kit (filling and electric element)
Termostati / thermostats (pag. 126)

CONNESSIONI/CONNECTIONS

