

the wall

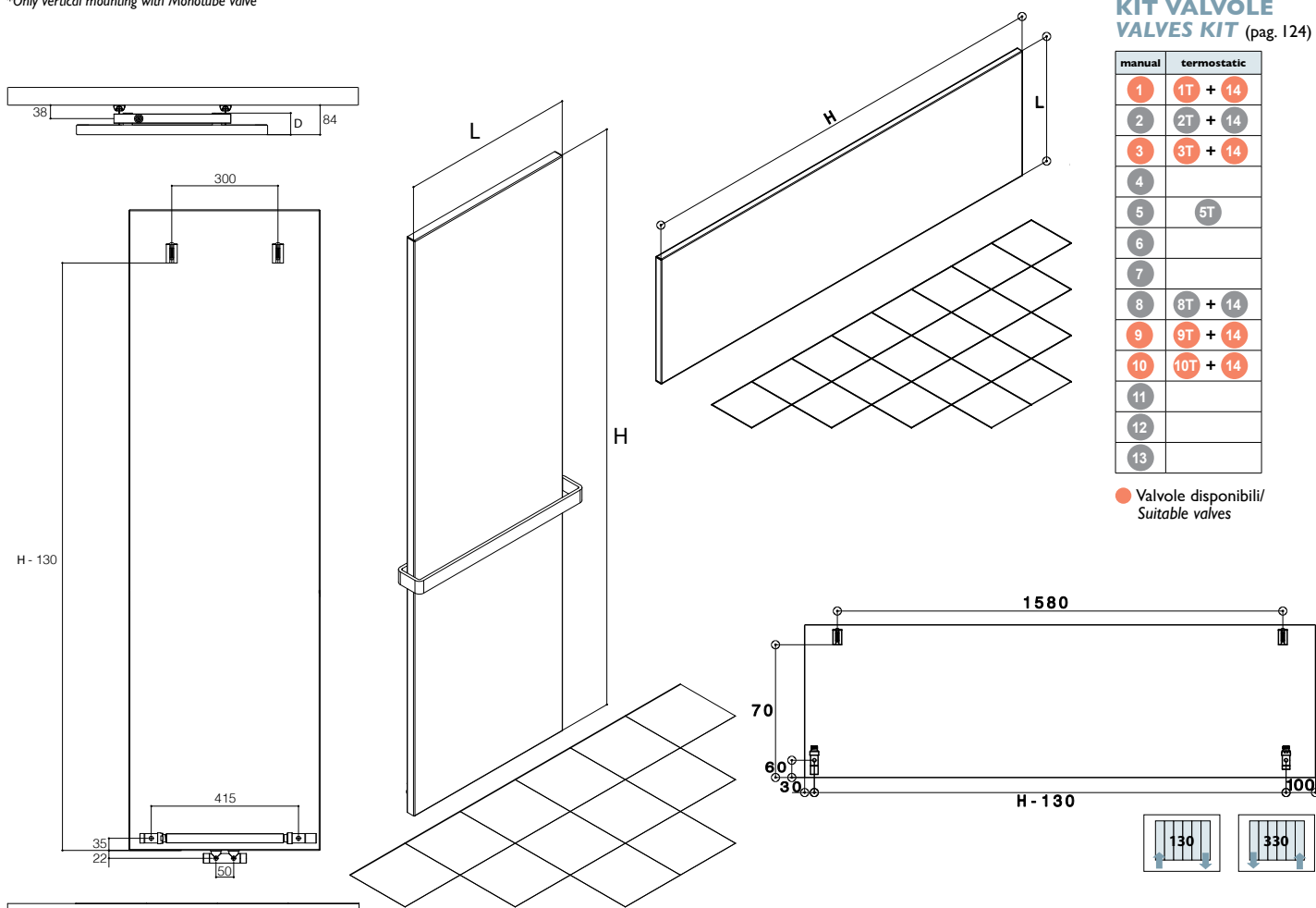


Dimensioni espresse in millimetri
Potenza espressa in Watt
Radiatore in alluminio.

Dimension expressed in millimetres
Output expressed in Watt
Aluminium radiator.

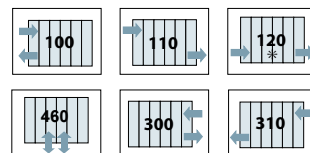
	H (mm)	D (mm)	L (mm)	 (lt)	 (W)			i (mm)	Finiture / Finishing
					$\Delta t 50^\circ$	$\Delta t 30^\circ$			
H 1800*	1800	55	290	1,00	432	238	450	50	RAL LUX SAT
H 1800	1800	55	540	2,00	780	429	800	415	
H 1800	1800	55	790	3,00	1296	713	1200	665	
H 2100*	2100	55	290	1,16	506	278	450	50	
H 2100	2100	55	540	2,32	920	506	1000	415	
H 2100	2100	55	790	3,48	1520	836	1500	665	

*Solo in conformazione verticale con valvola Monotubo (fornita)
*Only vertical mounting with Monotube valve



Kit base di elettrificazione (riempimento e resistenza)
Basic Electrification kit (filling and electric element)
Termostati / thermostats (pag. 126)

CONNESSIONI/CONNECTIONS



*Inserendo il diaframma fornito a kit
*By mounting the diaphragm