



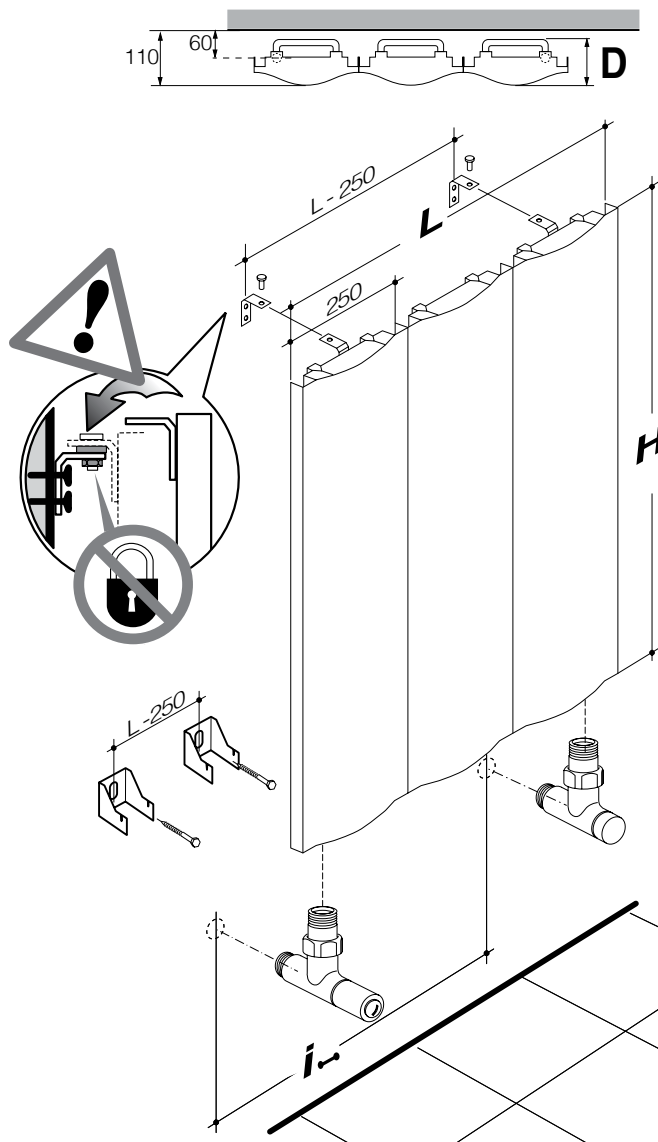
motus



Dimensioni espresse in millimetri
 Potenza espressa in Watt
 Radiatore in alluminio
 H 700 con cover inox lucida.

Dimension expressed in millimetres
 Output expressed in Watt
 Aluminium radiator
 H 700 with cover inox lux.

	H	D	L				i	Finiture / Finishing
	(mm)	(mm)	(mm)	(lt)	(W)		(mm)	
					$\Delta t 50^\circ$	$\Delta t 30^\circ$		
H 700-2	700	105	500	0,6	550	303	-	375
H 700-3	700	105	750	0,8	825	454	-	625
H 700-4	700	105	1000	1,0	1100	605	-	875
H 700-5	700	105	1250	1,3	1375	756	-	1125
H 1800-1	1800	105	250	0,7	673	370	-	125
H 1800-2	1800	105	500	1,3	1346	740	-	375
H 1800-3	1800	105	750	2,0	2019	1110	-	625
H 1800-4	1800	105	1000	2,7	2692	1481	-	875
H 2100-1	2100	105	250	0,8	801	441	-	125
H 2100-2	2100	105	500	1,6	1602	881	-	375
H 2100-3	2100	105	750	2,3	2403	1322	-	625



KIT VALVOLE VALVES KIT (pag. 124)

manual	termostatic
1	1T + 14
2	2T + 14
3	3T + 14
4	
5	5T
6	
7	7
8	8T + 14
9	9T + 14
10	10T + 14
11	
12	
13	

● Valvole disponibili/
 Suitable valves

CONNESSIONI/CONNECTIONS

