



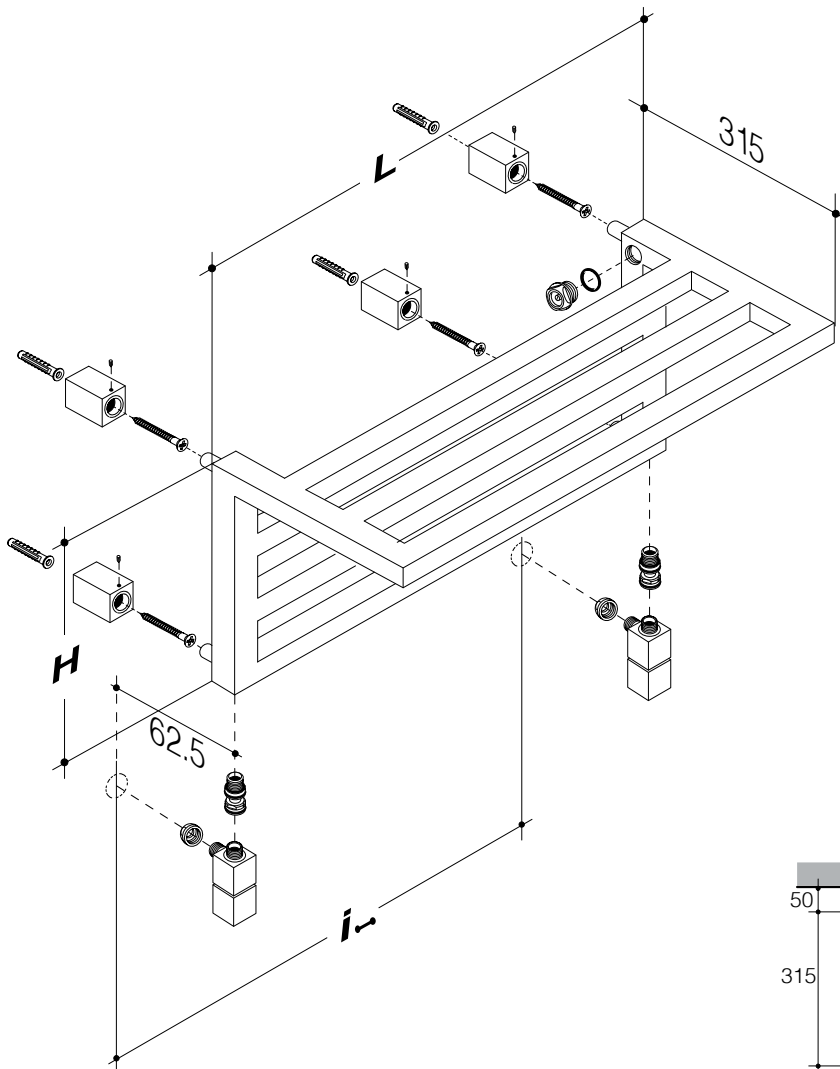
leo



Dimensioni espresse in millimetri
Potenza espressa in Watt
Radiatore in acciaio inox.

Dimension expressed in millimetres
Output expressed in Watt
Stainless steel radiator.

	H (mm)	D (mm)	L (mm)	 (lt)	 (W)		i (mm)	Finiture / Finishing			
					$\Delta t 50^\circ$	$\Delta t 30^\circ$					
L 800	315	365	800	2,75	250	137	150	775	RAL	INOX LUX	INOX SAT

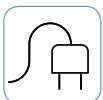
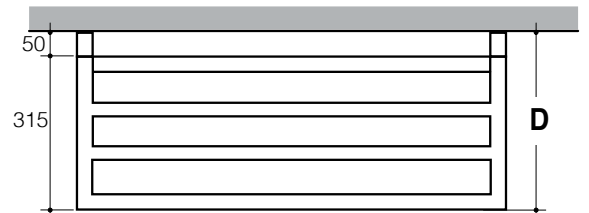


KIT VALVOLE VALVES KIT

(pag. 124)

manual	thermostatic
1	1T + 14
2	2T + 14
3	3T + 14
4	
5	5T
6	
7	7
8	8T + 14
9	9T + 14
10	10T + 14
11	
12	
13	

● Valvole disponibili/
Suitable valves



Kit base di elettrificazione (riempimento e resistenza)
Basic Electrification kit (filling and electric element)
Termostati / thermostats (pag. 126)

CONNESSIONI/CONNECTIONS

