



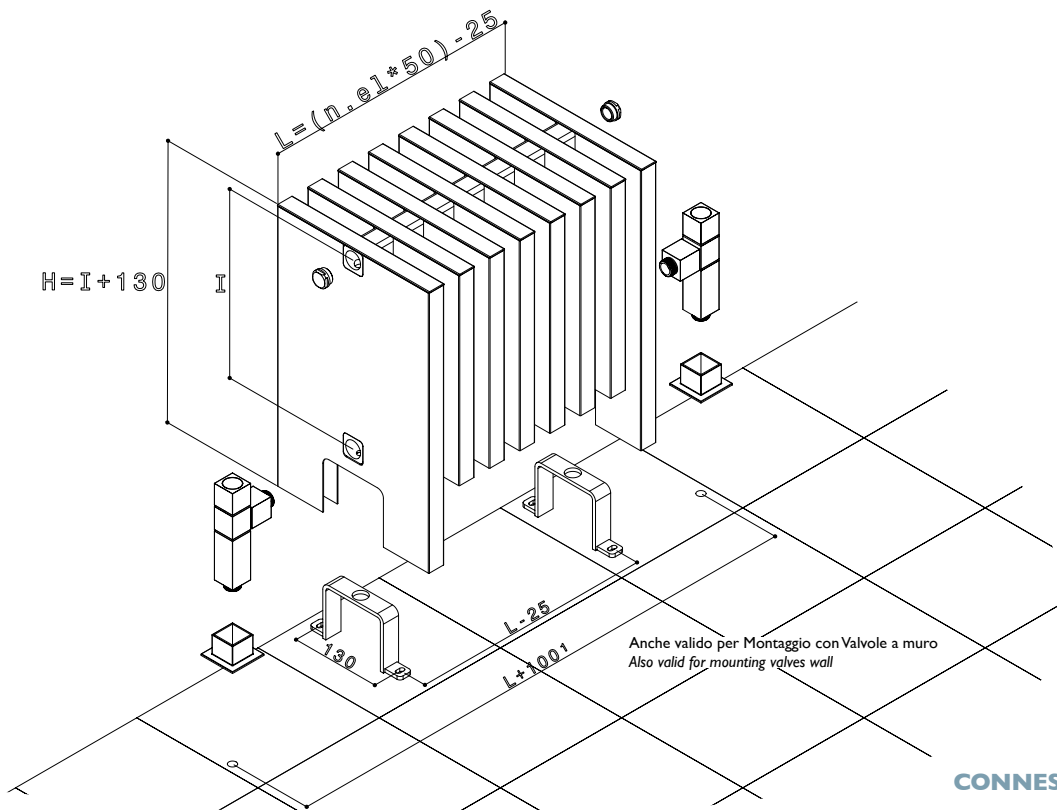
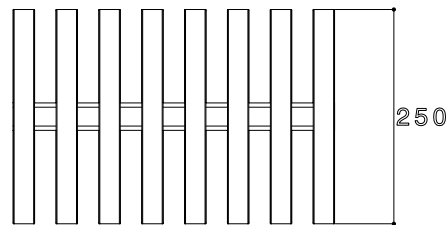
babe



Dimensioni espresse in millimetri
Potenza espressa in Watt
Radiatore in alluminio.

Dimension expressed in millimetres
Output expressed in Watt
Aluminium radiator.

	H (mm)	D (mm)	L (mm)	 (lt)	 (W)		i (mm)	Finiture / Finishing
					$\Delta t 50^\circ$	$\Delta t 30^\circ$		
H 400-12	400	250	575	1,6	984	541		270
H 400-17	400	250	825	2,2	1394	767		270
H 400-21	400	250	1025	2,8	1722	947		270
H 400-27	400	250	1325	3,5	2214	1218		270
H 400-31	400	250	1525	4,0	2542	1398		270



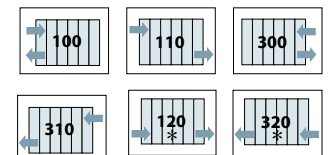
Anche valido per Montaggio con Valvole a muro
Also valid for mounting valves wall

KIT VALVOLE VALVES KIT (pag. 124)

manual	thermostatic
1	1T + 14
2	2T + 14
3	3T + 14
4	
5	5T
6	
7	
8	8T + 14
9	9T + 14
10	10T + 14
11	
12	
13	

● Valvole disponibili/
Suitable valves

CONNESSIONI/CONNECTIONS



*Inserendo il diaframma fornito a kit
*By mounting the diaphragm